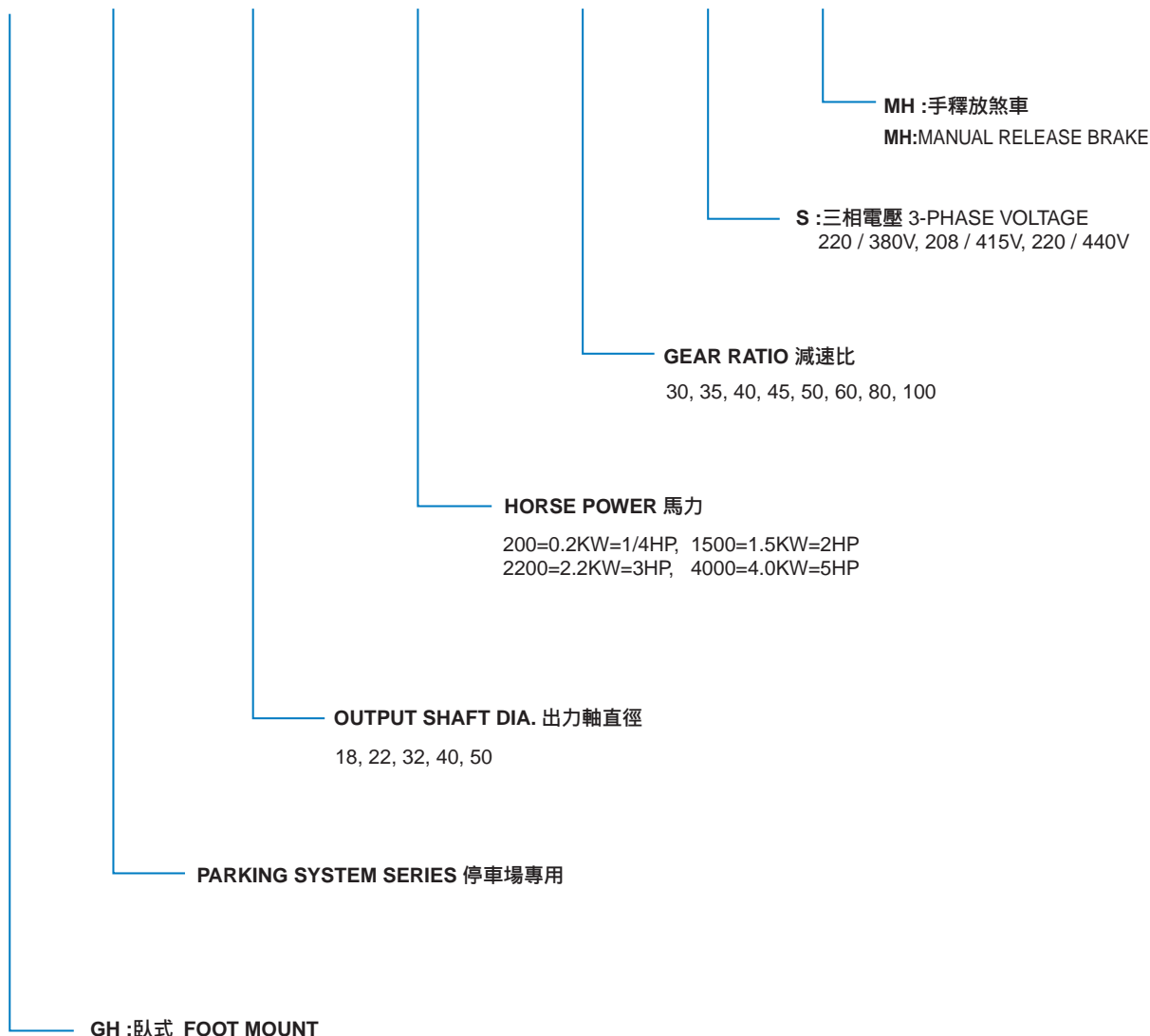


停車場専用減速機
GEAR MOTOR with manual release brake

型號對照表 CATAL. No. GUIDE

GH **P** - **22** - **200** - **100** **S** **MH**



標稱減速比與實際減速比及馬力對照表 Contrast list between standard ratio and actual ratio

實際減速比 Standard Ratio Actual Ratio 標稱減速比	出力軸徑 OUTPUT SHAFT DIA				
	18	22	32	40	50
30	0.2KW 1/4HP 30.11	0.2KW 1/4HP 29.61	1.5KW 2HP 29.38	2.2KW 3HP 30.13	4KW 5HP 32.53
35			35.56	33.75	
40	39.69	43.07	39.42	39.17	39.43
45		46.66	44.08	44.10	
50	51.85	51.18	48.38	50.00	50.18
60	60.93	63.03	58.77	60.00	58.02
80		79.06	78.83	78.40	78.41
100		96.18	96.80	94.64	106.2

規格表 Specification table

TYPE 型式	OUTPUT SHAFT DIA 出力軸徑	WATT 瓦特	GEAR RATIO 減速比							
			30	40	45	50	60	80	100	
GHP	18	0.2KW	30	40	45	50	60			
	22	0.2KW	30	40	45	50	60	80	100	
	32	1.5KW	30	35	40	45	50	60	80	100
	40	2.2KW	30	35	40	45	50	60	80	100
	50	4.0KW	30	40	50	60	80	100		

性能表 Features

出力軸徑 Output Shaft	KW	標稱減速比 Standard ratio	實際減速比 Actual ratio	出力軸實際轉速 R.P.M.		出力軸扭矩 Torque kgf-m	
				50HZ	60HZ	50HZ	60HZ
18	0.2	30	30.1	49.8	59.8	3.91	3.26
		40	39.7	37.8	45.4	5.15	4.30
		50	51.9	28.9	34.7	6.73	5.61
		60	60.9	24.6	29.5	7.91	6.59
22	0.2	30	29.6	50.7	60.8	3.85	3.20
		40	43.1	34.8	41.8	5.59	4.66
		45	46.7	32.1	38.6	6.06	5.05
		50	51.2	29.3	35.2	6.65	5.54
		60	63.0	23.8	28.6	8.19	6.82
		80	79.1	19.0	22.8	10.27	8.56
		100	96.2	15.6	18.7	12.49	10.41
32	1.5	30	29.4	51.1	61.3	28.62	23.85
		35	35.6	42.2	50.6	34.64	28.86
		40	39.4	38.1	45.7	38.40	32.00
		45	44.1	34.0	40.8	42.93	35.78
		50	48.4	31.0	37.2	47.12	39.27
		60	58.8	25.5	30.6	57.24	47.70
		80	78.8	19.0	22.8	76.78	63.98
		100	96.8	15.5	18.6	94.28	78.57
40	2.2	30	30.1	49.8	59.7	43.04	35.87
		35	33.8	44.4	53.3	48.21	40.18
		40	39.2	38.3	46.0	55.96	46.63
		45	44.1	34.0	40.8	63.00	52.50
		50	50.0	30.0	36.0	71.43	59.52
		60	60.0	25.0	30.0	85.71	71.43
		80	78.4	19.1	23.0	112.00	93.33
		100	94.6	15.8	19.0	135.20	112.66
50	4	30	32.5	46.1	55.3	84.49	70.41
		40	39.4	38.0	45.7	102.41	85.34
		50	50.2	29.9	35.9	130.33	108.61
		60	58.0	25.9	31.0	150.70	125.58
		80	78.4	19.1	23.0	203.66	169.71
		100	106.2	14.1	17.0	275.78	229.82

註：1.上表之實際出力軸轉以實際減速比為計算基礎，入力軸轉速為4P馬達50HZ轉速1500,60HZ轉速1800為準。

2.出力軸扭矩以實際減速比計算，上述數據為理論值，僅供參考。

3.馬達額定使用時間15分鐘。

Remarks: 1. Above RPM is calculated under actual gear ratio base. Above RPM is based on 4P motor, 1800RPM under 60Hz, 1500RPM under 50Hz.

2. The output torque is calculated under actual gear ratio base, they are theoretic conclusion, only for reference purpose.

3. Motor operation period should be 15 mins.

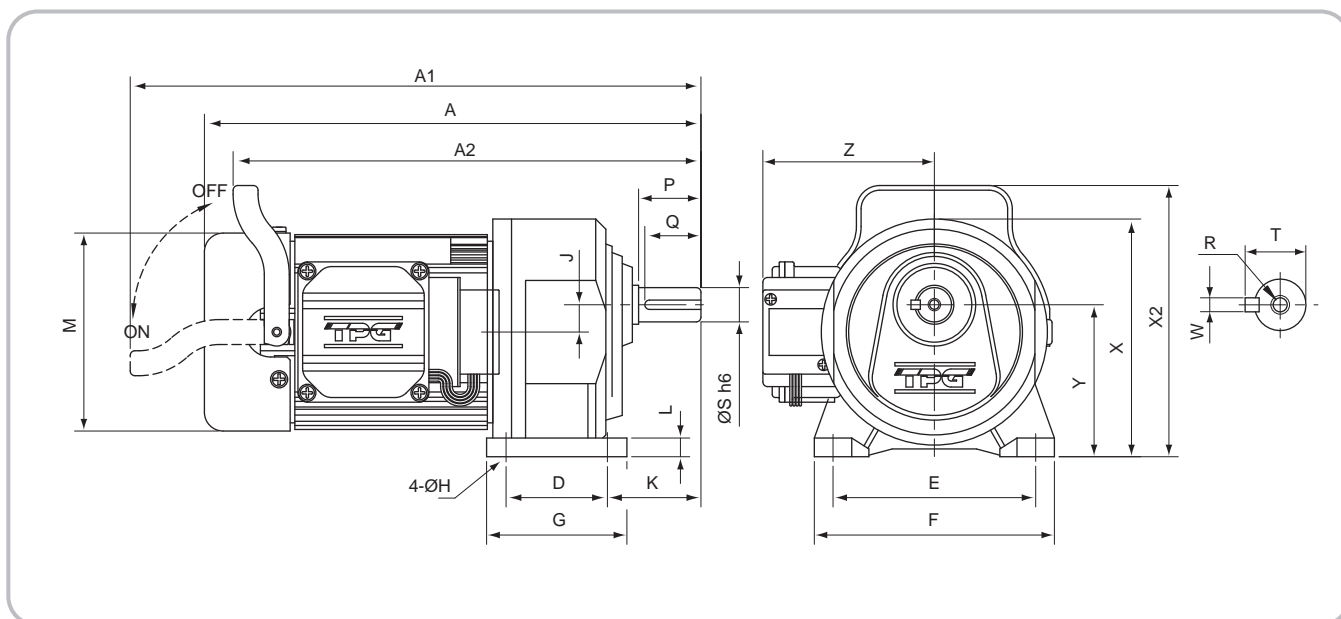


GHP TYPE

尺寸表 Dimension

mm

馬達 KW/HP	出力軸徑 OUTPUT SHAFT DIA	減速比 GEAR RATIO	A	A1	A2	腳架尺寸 FOOT DIMENSION					L	J	K	M	X	X2	Y	Z	出力軸端 OUTPUT SHAFT					概略重量 kg	
						D	E	G	F	H									P	Q	S	T	W		R
0.2KW 1/4HP	18	3-60	289	321	255	40	110	65	135	10	10	16	50	127	135	166.5	88.5	110	30	25	18	20	5	M6	9.4
	22	30-100	322	369	303	65	130	90	154	11	12	17.5	60	127	152.5	174	97.5	110	40	35	22	25	7	M6	11
1.5KW 2HP	32	30-100	403	473	386	130	170	160	210	13	18	26.9	76	162	210	227	138.5	126	55	50	32	36.5	10	M8	25
2.2KW 3HP	40	30-100	469	516	412	150	210	196	256	15	20	32.5	93	195	227	250	150	137	65	60	40	45	10	M10	42
4.0KW 5HP	50	30-100	566	624	480	160	230	210	280	19	25	36.9	105	195	267	268	173	137	80	70	50	55.5	14	M10	74



註：

- 馬力以4P轉速計算。
- 煞車電壓為AC200~240輸入，DC90~110V輸出，煞車可做釋放動作。
- 馬達額定時間15分鐘。
- 專利號：M275320, M275626。

Remarks:

- Above RPM is based on 4P motor.
- Brake voltage is AC 200 - 240V input, then DC 90 - 110V output. Manual release function available.
- Motor operation period should be 15 min.
- PAT No.: M275320, M275626.



GHP TYPE

結線圖 Motor connection

200/400V, 220/380V		208/415V, 220/440V, 230/460V	
結線圖 200, 220, 240V Connection 200, 220, 240V	Y 結線圖 380, 400V Y Connection 380, 400V	YY 結線圖 208, 220, 230V YY Connection 208, 220, 230V	Y 結線圖 415, 440, 460V Y Connection 415, 440, 460V

煞車特長

- 斷電時運作-----無激磁作動煞車,斷電時自動煞車動作。
- 結線容易-----整流器裝於馬達外殼上,接交流電源。
- 小型重量輕-----加裝煞車所增加馬達長度極小,體積小,重量輕。
- 組裝容易-----加裝煞車不需修改馬達心軸,組裝容易。
- 煞車壽命長-----來令片材質耐磨性佳,煞車動作正確,調整方便。
- 煞車電壓-----三相輸入AC200/208/220V 50/60HZ輸出DC90/108V。單相輸入AC100/110V 50/60HZ輸出DC90/108V。

Brake features:

- Power off activation.....No exciting brake, power off auto braking.
- Easy to connectThe rectifier is inbuilt into the motor house and connect directly to the power source.
- Light weightSmall cuft.
- Easy to assemble.....Don't need to amend the motor output shaft.
- Long life.....The material of brake lining is wearproof. Brake effectively and easy to adjust.
- Brake voltage.....3 Phase input AC200/208/220V 50/60HZ output DC90/108V.
1 Phase input AC100/110V 50/60HZ output DC90/108V.

間隙調整方法

- 1.打開馬達風蓋,拆掉調整螺栓上兩個固定螺絲。
- 2.旋轉固定螺絲可調整煞車間隙,每等距約0.2mm。
- 3.以厚薄規調整好間隙後,將調整螺栓上四個或六個孔之其中對角兩孔固定,將固定螺絲鎖緊即完成調整間隙動作,其所調整方法及所需間隙以厚薄規為準。
- 4.非專業技師禁止調整,於停車中操作。

The adjust steps:

1. Take off the motor fan cover, loose two socket screws.
2. Rotate the brake tension screw to adjust brake backlash, turn clockwise direction to decrease the distance, counterclockwise to increase it. Every pitch about 0.2mm.
3. After adjustment backlash thickness measurer, put back the fixed screw at opposite point.
4. Qualified or trained personnel should adjust this brake under the power off condition.

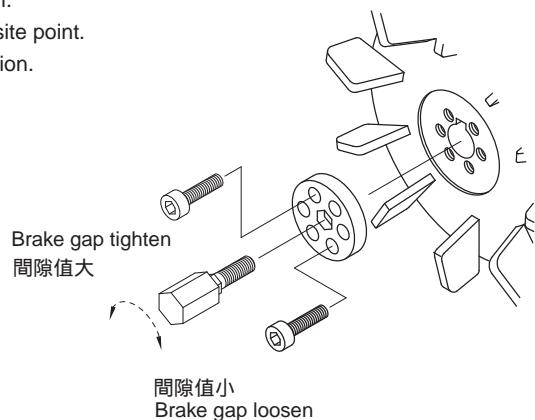
煞車間隙調整原因

1. 每當使用一段時間煞車動作不正確時。
2. 至少每年需調整煞車間隙一次。
3. 依使用的頻率多寡,可自行決定調整間隙的次數。
4. 請使用厚薄規調整煞車間隙在0.3~0.4mm之間。
5. 專利號: M275320, M275626。

Brake adjustment need to be done while below situation happened:

1. Wrong brake action.
2. During annual maintenance.
3. Adjust according to the use frequency, you can decide the time of adjust brake.
4. Please use the thick measurer to adjust the backlash between 0.3mm to 0.4mm.
5. PAT No.: M275320, M275626.

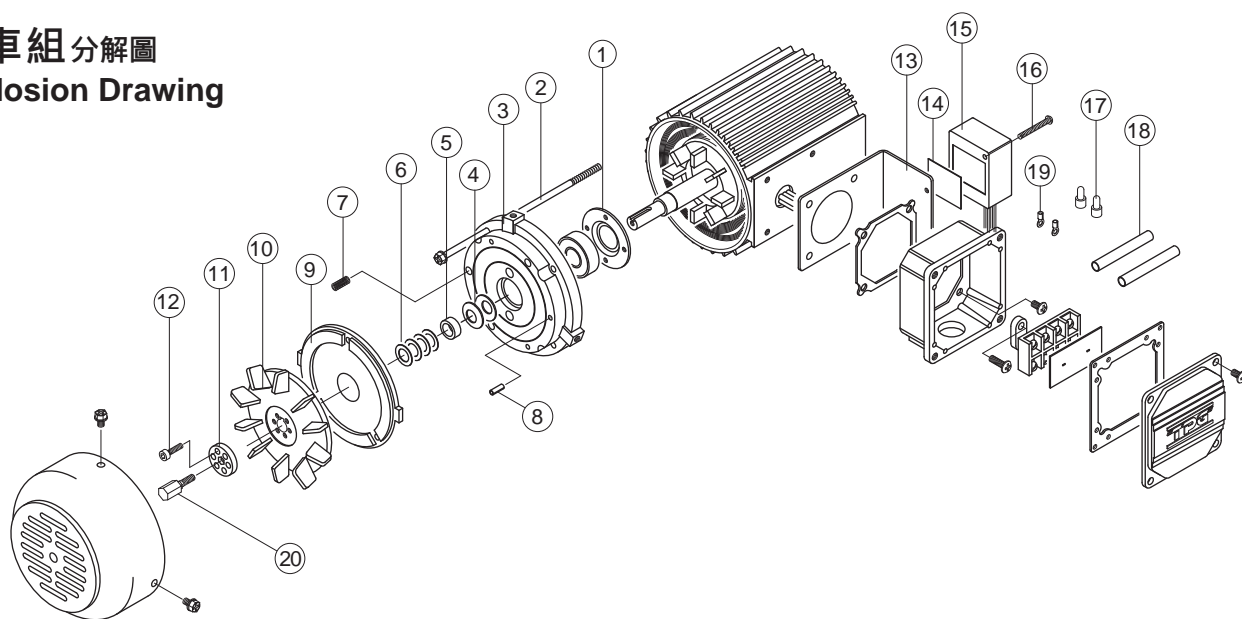
煞車間隙值調整約0.3~0.4mm
Adjust brake gap value at 0.3~0.4mm



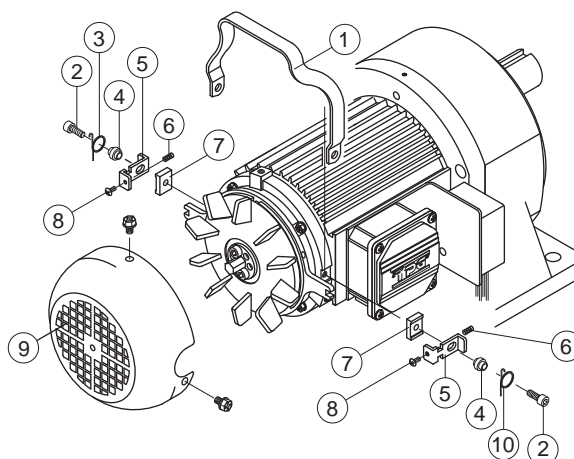
MOTORS & DRIVES

煞車組零件表 Part List of Brake

順號 NO.	品名	Description	順號 NO.	品名	Description	順號 NO.	品名	Description
1	軸承華司	Bearing washer	8	空心梢	Nut	15	整流器	Rectifier
2	馬達長螺絲	Motor long screw	9	來令片	Friction	16	整流器螺絲	Screw of rectifier
3	煞車座	Brake seat	10	煞車風葉	Brake blade	17	接線帽	Close~ end connector
4	盤形墊片	Round plate	11	華司	Washer	18	保護管	Vinyl tube
5	厚墊片	Thick washer	12	套筒螺絲	Screw	19	接線端子	Wire adapter
6	薄墊片	Thin washer	13	L型鐵片	L shape metal	20	螺柱	Screw nut
7	彈簧	Spring	14	整流器銘牌	Nameplate of capacitor			

煞車組分解圖
Explosion Drawing手釋放煞車組零件表
Part List of Manual Release Brake

順號 NO.	品名	Description
1	把手	Manual handle
2	套筒螺絲	Screw
3	左彈簧	Left spring
4	轉軸	Nut
5	壓板	Bracket
6	彈簧	Spring
7	固定片	Fixed block
8	圓頭十字螺絲	Screw
9	風蓋	Fan cover
10	右彈簧	Right spring

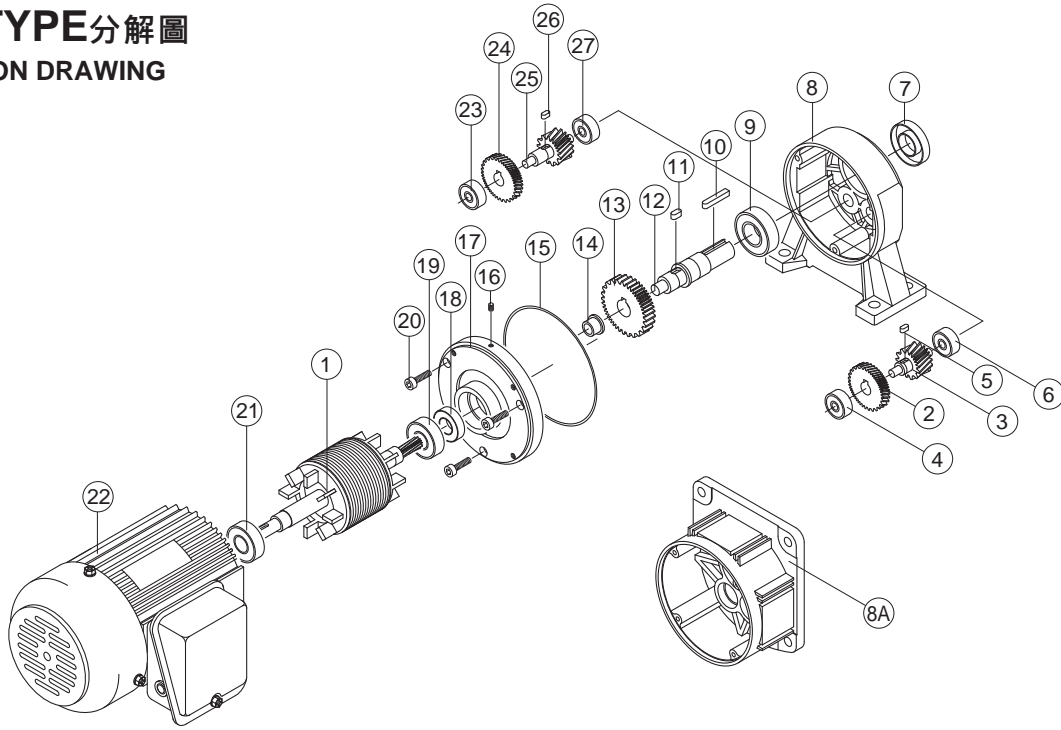


手釋放煞車組分解圖 Explosion Drawing

註：1. 刹車SBV 071沒有7號零件。 2. 專利號：M275320, M275626。

Remarks: 1. There is no number 7 part in SBV 071 brake. 2. PAT No.: M275320, M275626.

GHP TYPE 分解圖 EXPLOSION DRAWING



零件表 Part List

順號 NO.	品名	Description	順號 NO.	品名	Description	順號 NO.	品名	Description
1	馬達心軸	Armature	9	出力軸軸承	Bearing of output shaft	18	中殼油封	Oil seal of front cover
2	二段齒	Second stage gear	10	出力軸單圓鍵	Single round end key of output shaft	19	中殼軸承	Bearing of front cover
3	三段軸	Third stage shaft	11	出力軸雙圓鍵	Twin round end key of output shaft	20	中殼套筒螺絲	Socket screw of front cover
4	三段軸後軸承	Rear bearing of third stage shaft	12	出力軸	Output shaft	21	馬達心軸後軸承	Rear bearing of armature
5	三段軸鍵	Key of third stage shaft	13	三段齒	Third stage gear	22	馬達組 (參照分解圖)	Motor assembly
6	三段軸前軸承	Front bearing of third stage shaft	14	出力軸襯套	Bush of output shaft	23	二段軸後軸承	Rear bearing of second stage shaft
7	出力軸油封	Oil seal of output shaft	15	O型環	O shape ring	24	一段齒	First stage gear
8	臥式齒輪箱	Horizontal type house	16	透氣孔螺絲	ventilation outlet	25	二段軸	Second stage shaft
8A	立式齒輪箱	Vertical type house	17	中殼	Motor front cover	26	二段軸鍵	Key of second stage shaft
						27	二段軸前軸承	Front bearing of second stage shaft

註：1.以上分解圖為通用模式，內部零件會因機種不同會有小部份形狀不同。
2.馬達組及煞車及手釋放煞車零件請參照單獨分解圖。
3.需要維修零件，請註明機種減速比及零件順號。

Remarks:
1. Above explosion drawing is the standard one, there will be some different parts due to different model.
2. Motor set, brake & manual release brake explosion drawing will be showed up separately later on.
3. Please mark the part name and full catal. number of TPG if require the repair service from TPG.

軸承、油封對照表 BEARING & OIL SEAL LIST

出力軸徑 Output shaft dia.	馬力 KW/HP	軸承 Bearing							油封 Oil seal	
		二段軸前軸承 Front bearing of second stage shaft	二段軸後軸承 Rear bearing of second stage shaft	三段軸前軸承 Front bearing of third stage shaft	三段軸後軸承 Rear bearing of third stage shaft	出力軸軸承 Bearing of output shaft	中殼軸承 Bearing of front cover	三相馬達後軸承 Rear bearing of 3-Phase	出力軸油封 Oil seal of output shaft	中殼油封 Oil seal of front cover
18	0.2					6004	6202ZZ	6202ZZ	TC20X35X7	SC15X30X7
22	0.2	6200	6200	6200	6200	6205	6202ZZ	6202ZZ	TC25X40X7	SC15X30X7
32	1.5	6300	6301	6403	6301	6007X2	6305ZZ	6303ZZ	TC35X50X8	SC25X40X8
40	2.2	6302	6304	6305	6304	6209	6305ZZ	6205ZZ	TC45X62X9	SC25X40X8
50	4.0	6303	6305	6307	6305	6011X2	6306ZZ	6205ZZ	TC55X76X12	SC30X42X8



● MOTORS & DRIVES ●

訂購須知 GENERAL NOTICES

- 1. 型式 TYPE : _____
- 2. 馬力 HORSEPOWER : _____
- 3. 減速比 RATIO : _____
- 4. 電壓 VOLTAGE : _____
- 5. 頻率 HZ : _____

